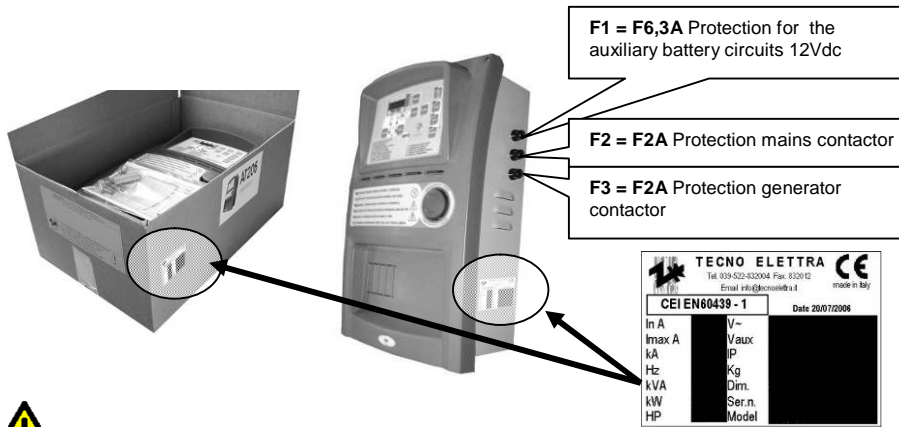




AT206 / AT206B “Quick installation guide”

UK

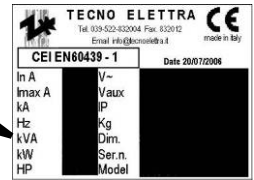
General information



F1 = F6,3A Protection for the auxiliary battery circuits 12Vdc

F2 = F2A Protection mains contactor

F3 = F2A Protection generator contactor

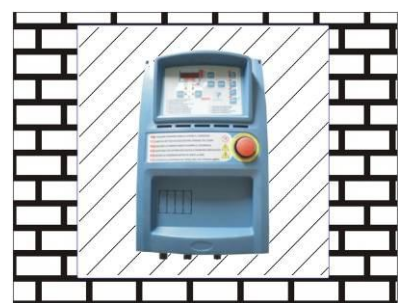
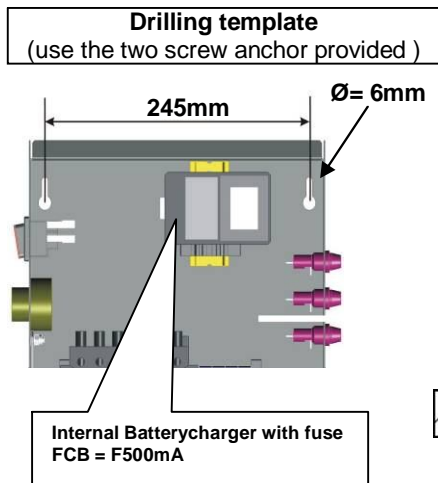


Description of the data shown on the label

In = nominal current
 Imax = maximum rated current
 KA = maximum breaking current against short circuit
 Hz = frequency
 KVA = apparent power (calculated at cos fi 0,8)
 KW = active power
 HP = horse power
 V~ = maximum use voltage of the primaries
 Vaux = maximum voltage of the auxiliary circuits
 IP = degree of protection against external agents
 Kg = approximate weight
 Dim = dimensions Height x Width x Depth
 Ser.n = serial number
 Model = product code

WARNING! Check that the product delivered exactly corresponds to the ordered

Installation

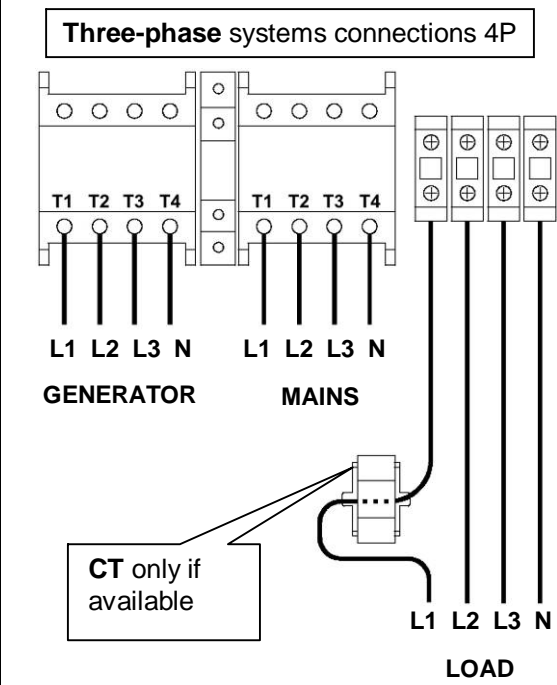
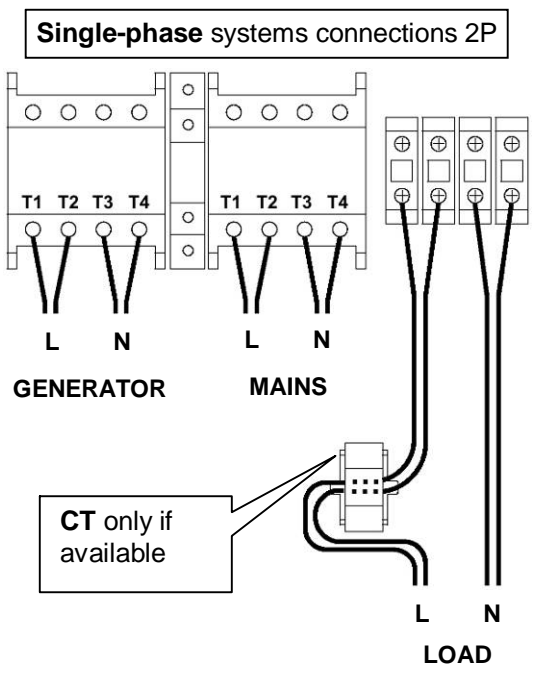


Free space of aeration reason = min. 10cm all around the switchboard

TECHNICAL FEATURES

Nominal voltage battery	12Vdc
Maximum rated current	250mA
Maximum rated power	3W
Operating range	10 ÷ 17VDC
Nominal voltage generator/mains	100 ÷ 265Vac L-N
Measuring range voltage appearing	50 ÷ 450Vac
Frequency range	45 ÷ 65Hz
Degree of protection front board	IP65
Degree of protection of switchboard	IP20
Operating temperature	-20 ÷ +50°C
Storage temperature	-30 ÷ +70°C
Maximum rated humidity	<90%

Power electrical connections



Cables sections

Single-phase system 2P (max 5m)

I max	min. sec.	max sec.
40A	2x 4mm ²	2x 6mm ²
51A	2x 4mm ²	2x 6mm ²
72A	2x 6mm ²	2x 10mm ²
89A	2x 10mm ²	2x 16mm ²
96A	2x 10mm ²	2x 16mm ²

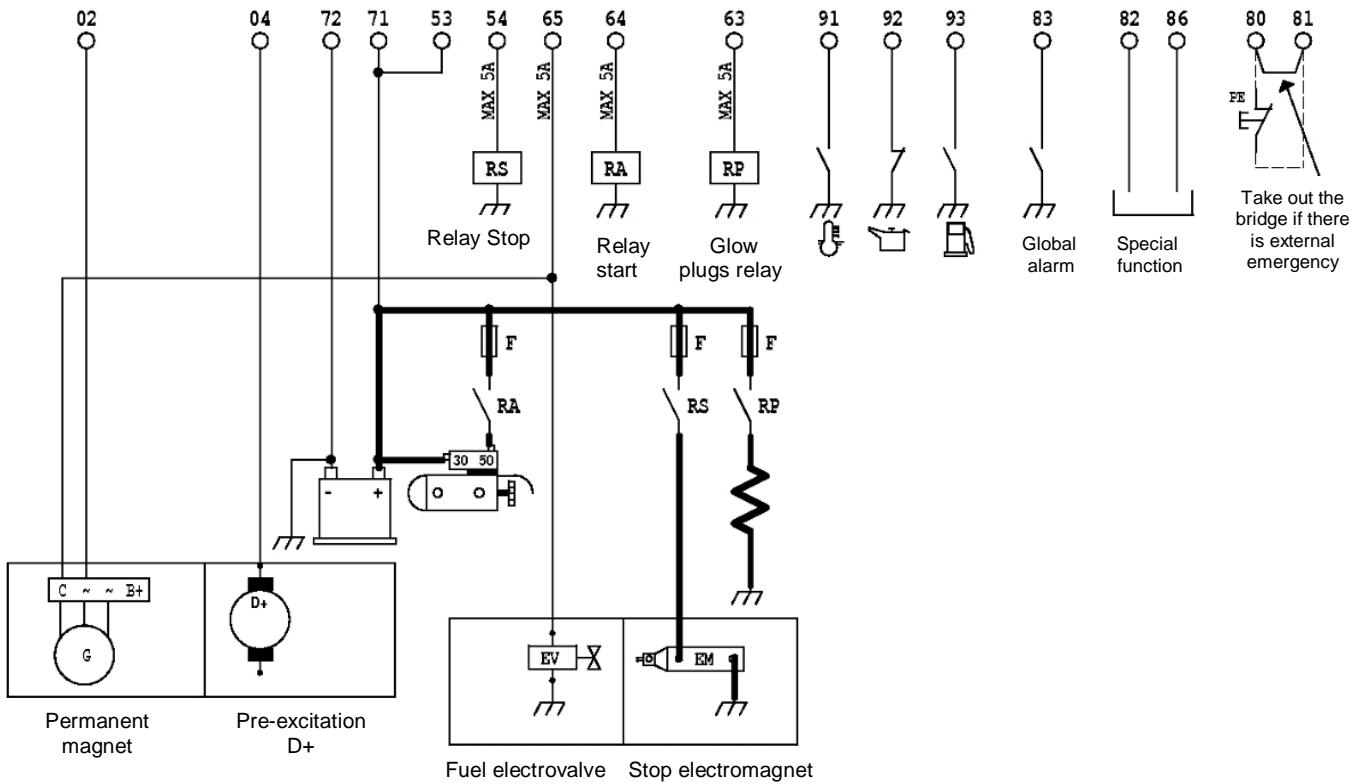
Three-phase system 4P (max 5m)

I max	min. sec.	max sec.
25A	1x 4mm ²	1x 6mm ²
32A	1x 6mm ²	1x 6mm ²
45A	1x 10mm ²	1x 10mm ²
56A	1x 16mm ²	1x 16mm ²
60A	1x 16mm ²	1x 16mm ²



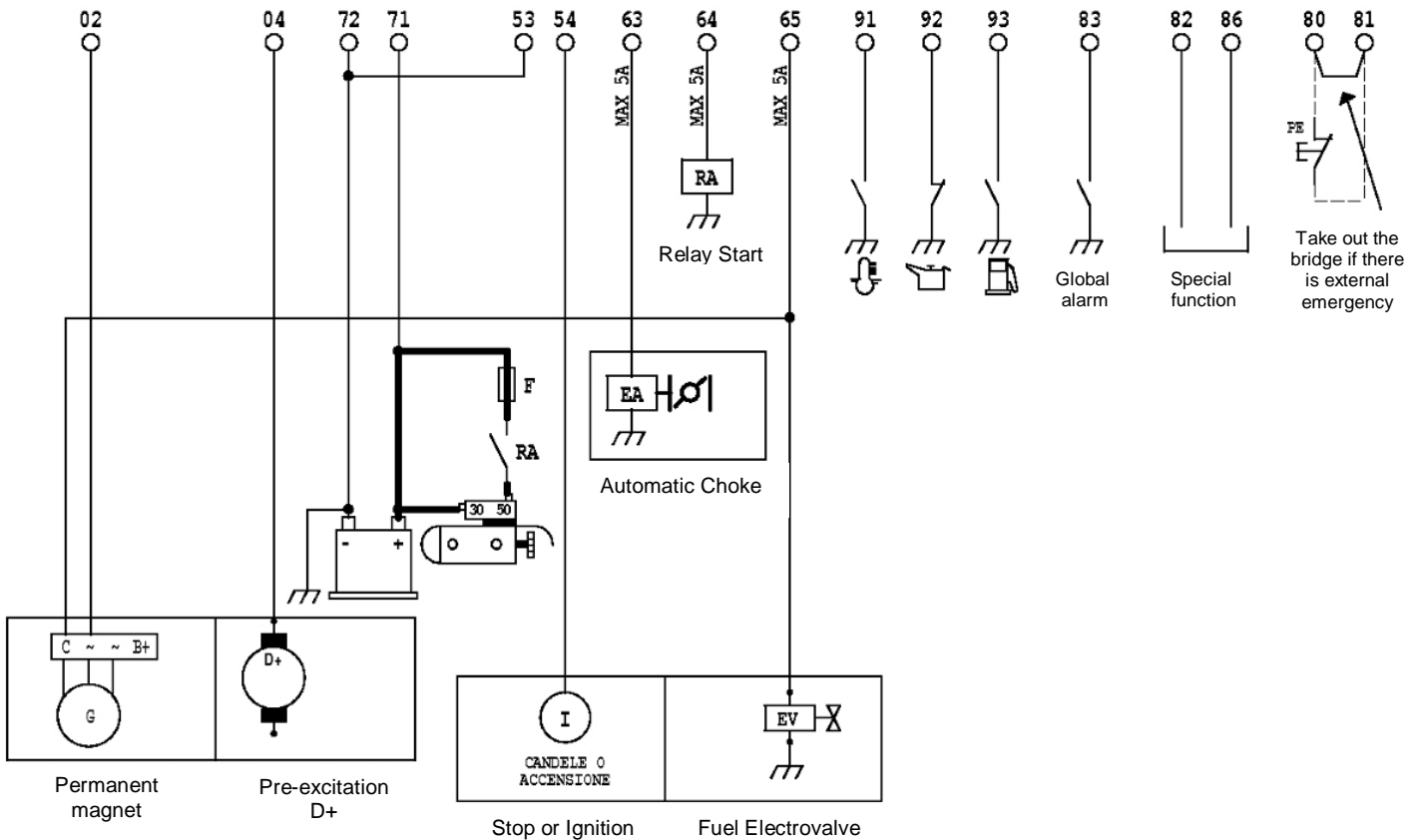
Auxiliary electrical connections – Diesel motor

Switchboard terminal



Auxiliary electrical connections – Fuel motor

Switchboard terminal



WARNING! if there a protection switch on the generator output voltage, please remember to turn it in ON before the gen-set start running



Power ON – first start up

Verify that the Emergency button is released: if not, rotate it in clockwise direction to unlock it. (only if available)



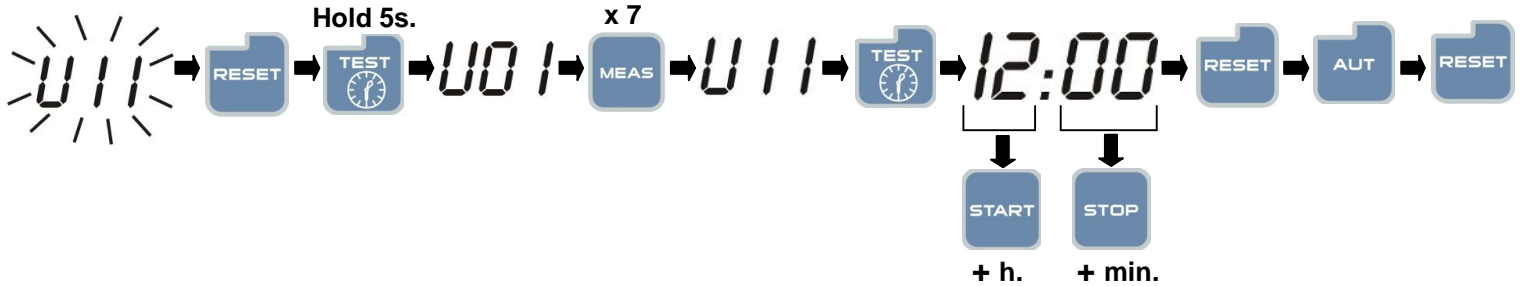
During the first start up, U11 code flashes as a reminder to programming the clock



Push RESET button to confirm the message, and remove it from display



Power ON – clock programming

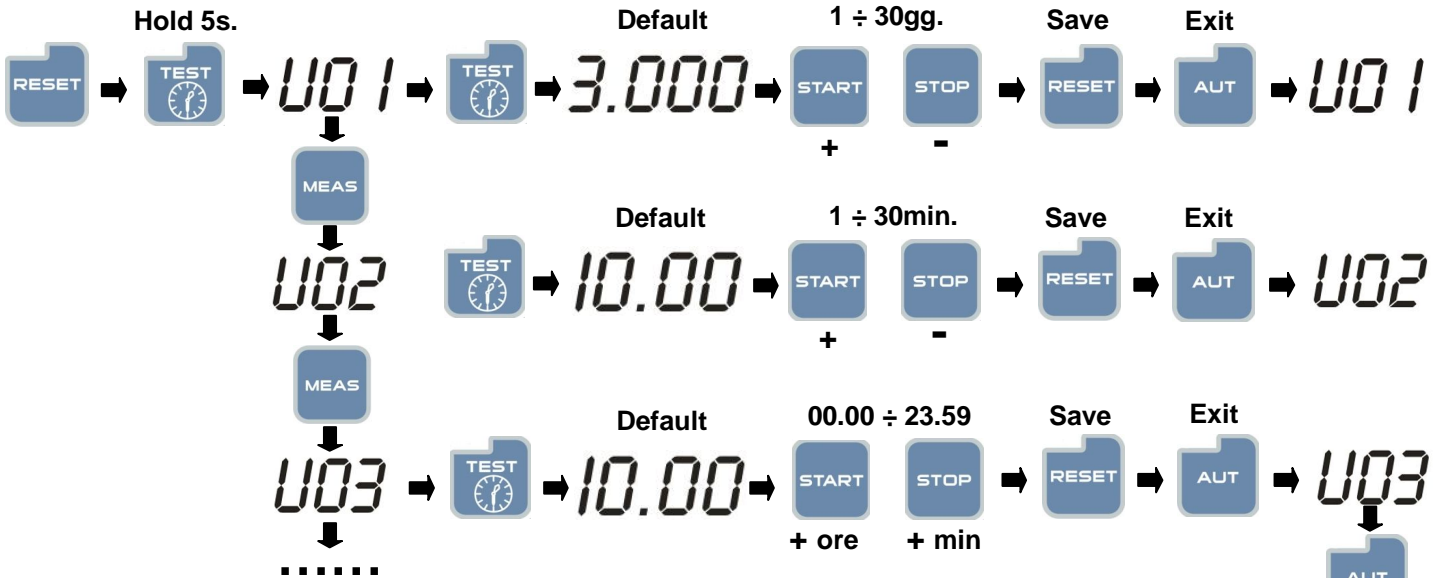


“AUTOMATIC TEST”: programming (only if necessary)

DESCRIPTION

Default set-up:
 the test is done every 3 days (U01), start at 10:00 (U03) and lasts 10 minutes (U02).

Setup	Description	Range	Default
U.01	Automatic test interval time	1 – 30gg	3 gg
U.02	Test duration	1 – 30 min	10 min
U.03	Test start time	00:00 – 23:59	10:00



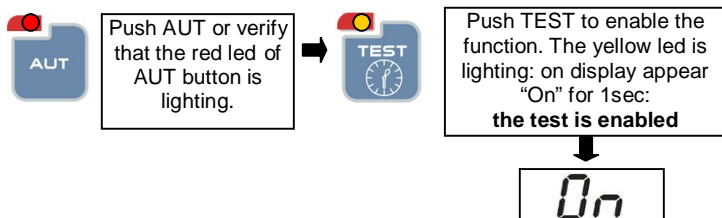
WARNING!

To avoid mode of operation different from those described, it is absolutely not recommended changing parameters U04, U08, U09, U10 without prior consultation with a service center.

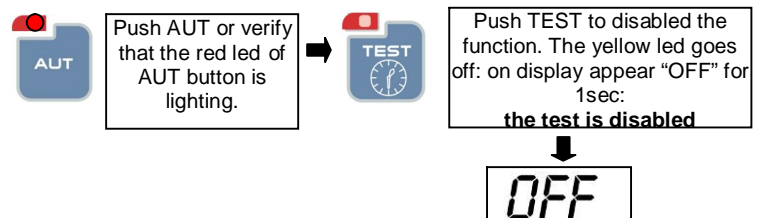
“AUTOMATIC TEST”: enabled and disabled (only if necessary)

When the automatic test parameters are set, you have to enable this, as follows:

ENABLED



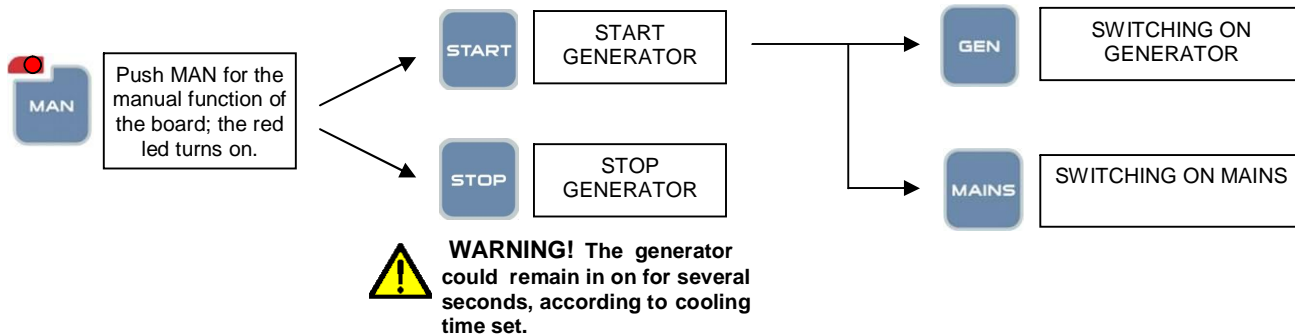
DISABLED





Mode of operation

BOARD IN MANUAL FUNCTION: The operator decide the starter, the stopping and the switching of generator.



BOARD IN AUTOMATIC FUNCTION: The electrical switching board automatically starts the generator in case of the mains irregularity, and stopping the generator when the mains became normal. The electrical panel also switching the contactor. If enabled, the automatic test goes on based on programming.

BOARD IN RESET: Push RESET, if the generator is on, it will be stopped immediately. In this position you can not start the generator and it is not possible to handle switching.

Display measures

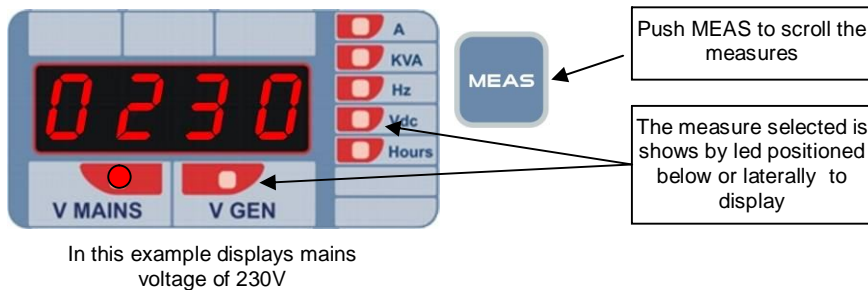
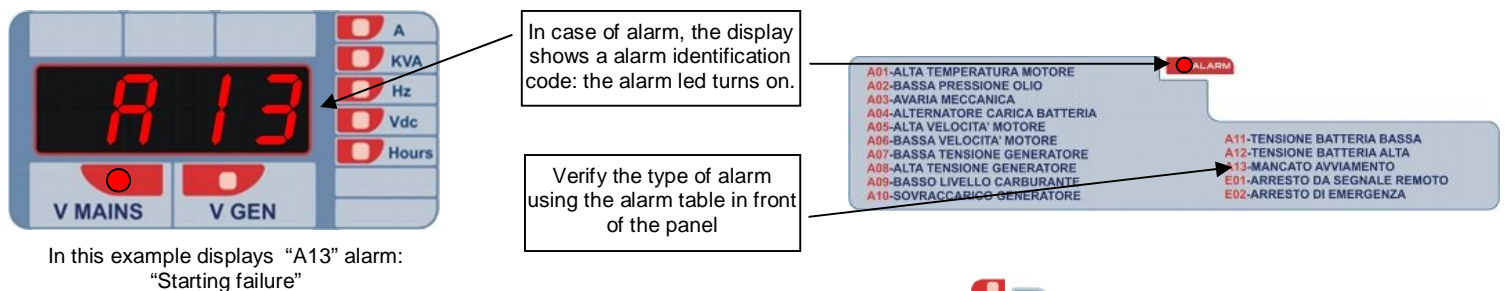


Table of the parameters can show on display:

V MAINS:	Mains voltage
V GEN:	Generator voltage
A:	Generator output current (only if available)
KVA:	Generator power output (only if available)
Hz:	Generator frequency
Vdc:	Battery voltage
Hours:	Generator work hours

If all leds are turned off, the display shows the actual time.

Display alarms



WARNING! In case of alarm we suggest to contact the generator manufacturer.

Push RESET to clear the alarm signal and put the generator in safety.

GENERAL WARNING!

- Read this manual carefully since it is necessary as a guide to the way the product is designed to be used, to its technical features, to supply the instructions for installation, assembly and use. It is also useful for personnel training, to indicate the maintenance operations, for ordering spare parts and to give indications of the outstanding hazards.
 - The manual must always be available for consultation near the panel and kept in a proper manner (in protected, dry places, away from direct sunlight, etc.); it should be considered as part of the panel and must be "KEPT FOR FUTURE REFERENCE" as long as the equipment is assembled.
 - It should be borne in mind that some diagrams it contains have only the purpose of identifying the parts described and therefore might not correspond to your card.
 - After opening the package, check the entire unit in case of problems with this unit do not use it until you have consulted an the **Retailer or Manufacturer** otherwise all warranty rights will be voided.
 - This card has only to be used for the purpose for which it was specifically designed. Any other use shall be considered improper and, therefore, dangerous.
 - All operations concerning the installation of the control panel should be carried out by skilled personnel in conformity with present regulations.
 - During work it is recommended to keep to the current personal safety rules in force in the country the product is destined for (clothing, work tools, etc.).
 - When the unit is working do not use the card parts.
 - Never for any reason modify any part of the card (connections, holes, electrical or mechanical devices, etc.) unless duly authorized to do so in writing by **manufacturer**: the responsibility deriving from any such action shall fall on the person doing it since he then in fact becomes its manufacturer.
 - Before doing any cleaning or maintenance, disconnect the control panel from the power supply.
 - Never use the card exposed to sources of heat or under direct hot sunlight
- It is wise to remember that should any difficulty arise in its use, installation or whatever, our Technical Service is always at your disposal for any explanations or action.

ATTENTION! On web site www.tecnoelettra.it is available the complete manual of the TE806 electronic board.