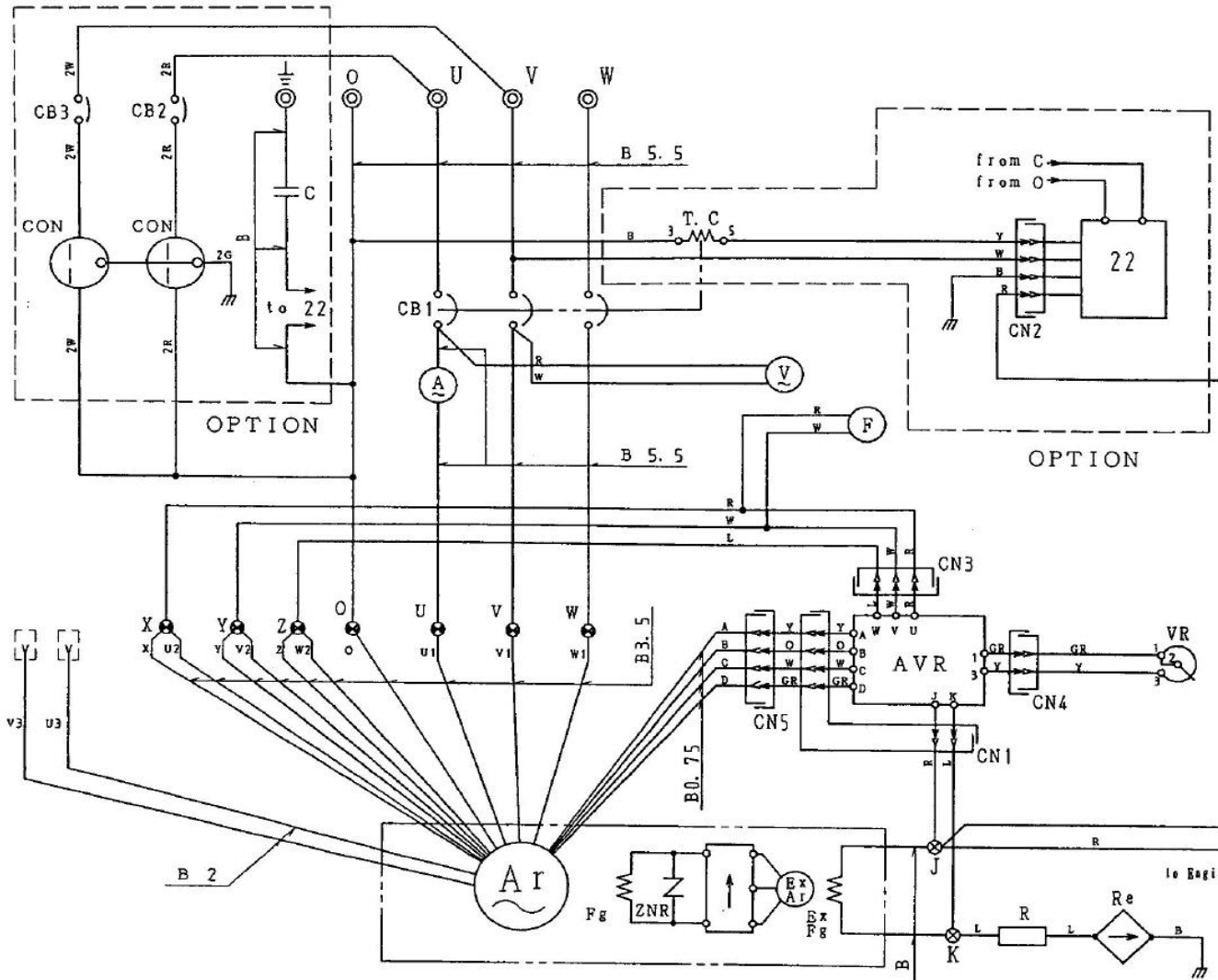
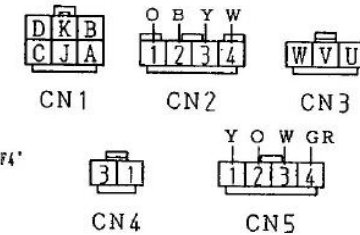


Принципиальная схема генератора  
"DENYO" TLG-13/18 ESY



SYMBOL	PARTS NAME
V	AC Voltmeter
A	AC Ammeter
F	Frequency Meter
AVR	Automatic Voltage Regulator
VR	Voltage Regulator
R	Resistor
Re	Rectifier
⊗ TB1	Combination Terminal
⊙ TB2	Combination Terminal
CB1	Circuit Breaker
OPTION	
22	Earth Leakage Relay
C	Condenser
⊙ ⊥	Ground Terminal (for ELR)
CON	1-Phase Output Receptacle
CB2, 3	AC Circuit Breaker

⊗ TB1	J K ACC 50 19 30
⊙ TB2	U V W O X Y Z



CONNECTOR  
(View at Wiring Side)

Wire Size	WIRING COLOR CODE			
5.5: 5.5mm <sup>2</sup>	SYMBOL	COLOR	SYMBOL	COLOR
3.5: 3.5mm <sup>2</sup>	B	BLACK	R	RED
2: 2mm <sup>2</sup>	L	BLUE	W	WHITE
0.75: 0.75mm <sup>2</sup>	BR	BROWN	Y	YELLOW
	G	GREEN	LB	LIGHT BLUE
	GR	GRAY	LG	LIGHT GREEN
	V	VIOLET	O	ORANGE
NO MARK: 1.25mm <sup>2</sup>	P	PINK		