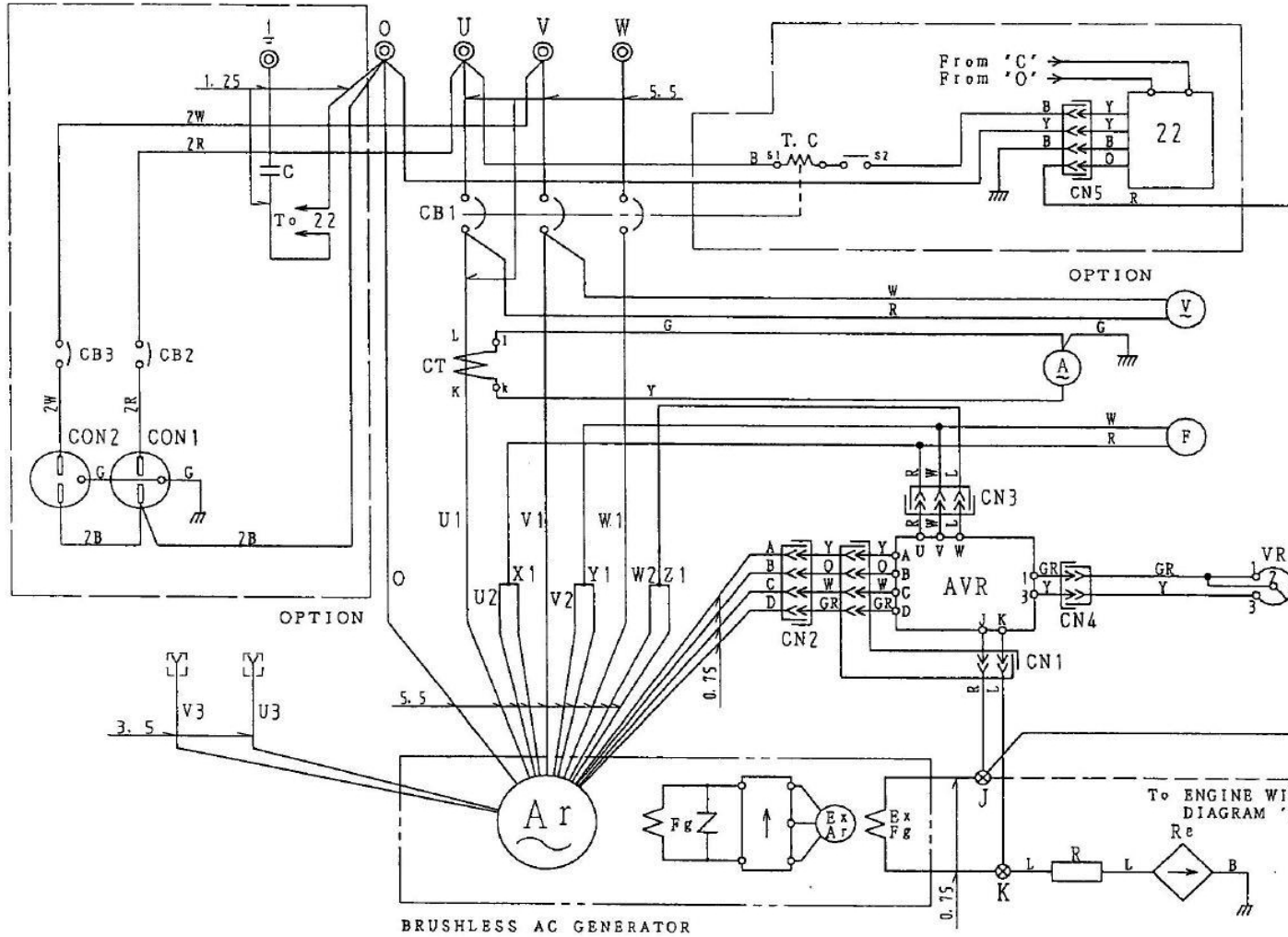
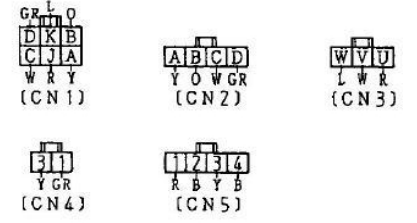


Принципиальная схема генератора
"DENYO" DCA-25 ESK



SYMBOL	PARTS NAME
V	AC Voltmeter
A	AC Ammeter
F	Frequency Meter
CB1	Circuit Breaker (for 3-Phase Output)
※ 22	Earth Leakage Relay
※ C	Condensor
※ CON1, 2	1-Phase Output Receptacle
CT	Current Transformer
AVR	Automatic Voltage Regulator
VR	Voltage Regulator
R	Resistor
Re	Rectifier
⊗ J, K	Combination Terminal
※ CB2, 3	Circuit Breaker (for Receptacle)
※ ⊕	Ground Terminal (for ELR)
⊙ U, V, W, 0	3-Phase Output Terminal

※: Option



CONNECTOR ARRANGEMENT
(WIRING VIEW)

WIRE SIZE	COLOR CODE	
5.5 : 5.5mm ²	WIRE COLOR	WIRE COLOR
3.5 : 3.5mm ²	B BLACK	R RED
2 : 2mm ²	L BLUE	W WHITE
0.75 : 0.75mm ²	BR BROWN	Y YELLOW
	G GREEN	LB LIGHT BLUE
	GR GRAY	LG LIGHT GREEN
	V VIOLET	O ORANGE
NO MARK: 1.25mm ²	P PINK	

DCA-25ESK [400V class]