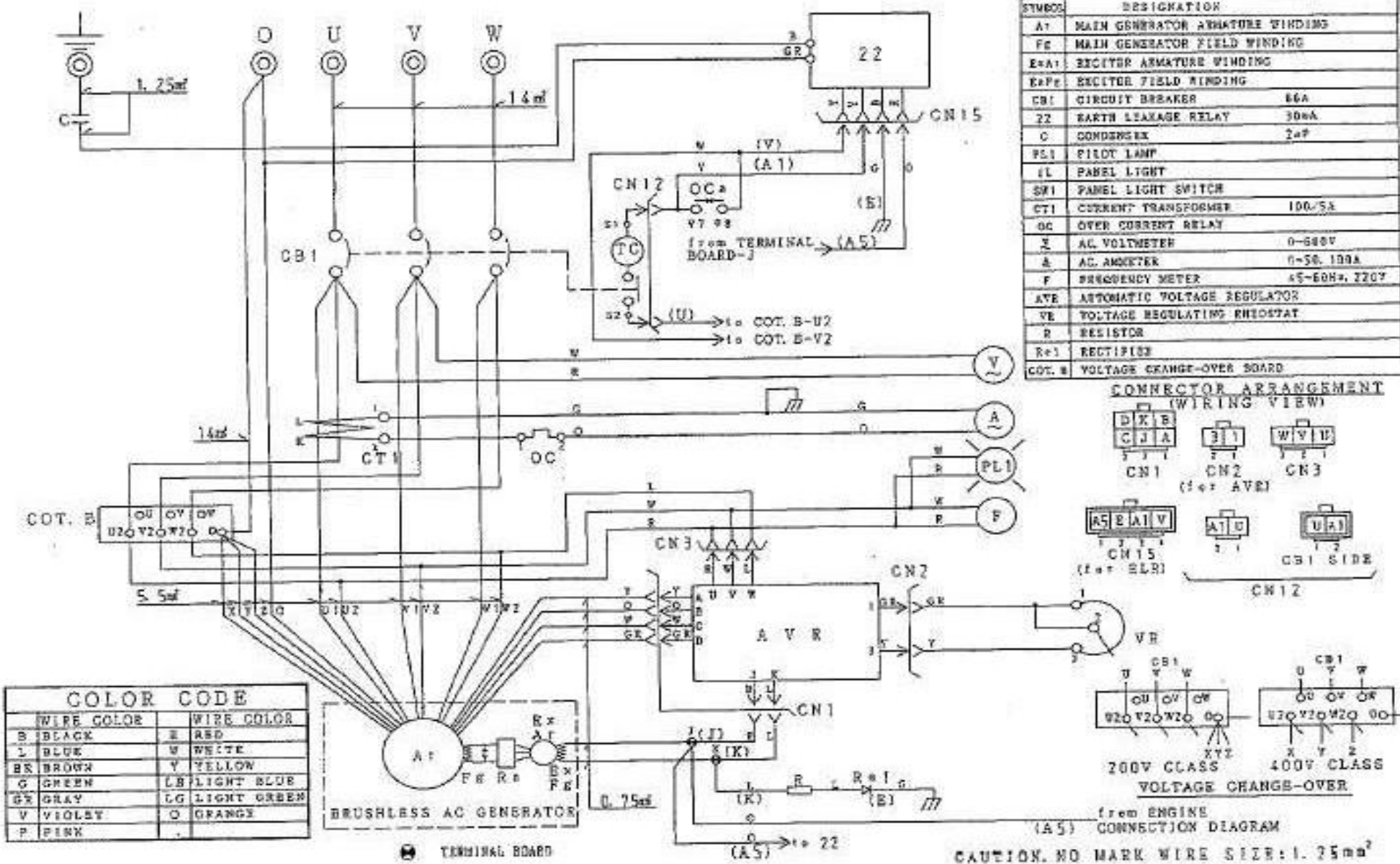


Принципиальная схема генератора DENYO DCA-25 ESI

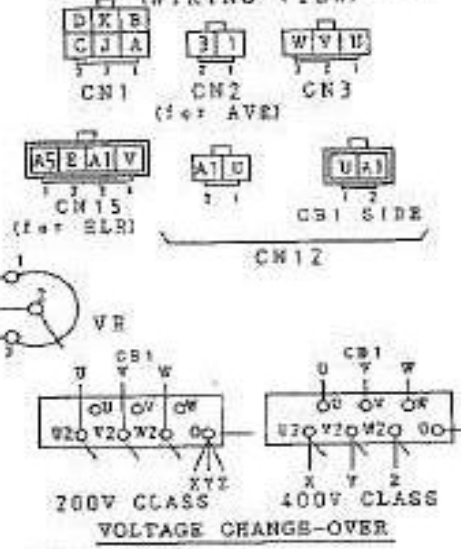
11-4 Generator connection diagram

DCA-25ESI



SYMBOL	DESIGNATION
A1	MAIN GENERATOR ARMATURE WINDING
FC	MAIN GENERATOR FIELD WINDING
Ea1	EXCITER ARMATURE WINDING
EaF	EXCITER FIELD WINDING
CB1	CIRCUIT BREAKER 66A
22	EARTH LEAKAGE RELAY 30mA
C	CONDENSER 2μF
PL1	PILOT LAMP
EL	PANEL LIGHT
SW1	PANEL LIGHT SWITCH
CT1	CURRENT TRANSFORMER 100/5A
OC	OVER CURRENT RELAY
Z	AC VOLTMETER 0-600V
A	AC AMPMETER 0-50.100A
F	FREQUENCY METER 45-60Hz, 270V
AVR	AUTOMATIC VOLTAGE REGULATOR
VR	VOLTAGE REGULATING RHEOSTAT
R	RESISTOR
Re1	RECTIFIER
COT. B	VOLTAGE CHANGE-OVER BOARD

CONNECTOR ARRANGEMENT (WIRING VIEW)



COLOR CODE	
B	BLACK
L	BLUE
BR	BROWN
G	GREEN
GR	GRAY
V	VIOLBY
P	PINK
W	WHITE
Y	YELLOW
LB	LIGHT BLUE
LG	LIGHT GREEN
OR	ORANGE
R	RED
W	WHITE
Y	YELLOW
LB	LIGHT BLUE
LG	LIGHT GREEN
OR	ORANGE
R	RED

CAUTION. NO MARK WIRE SIZE: 1.25mm²