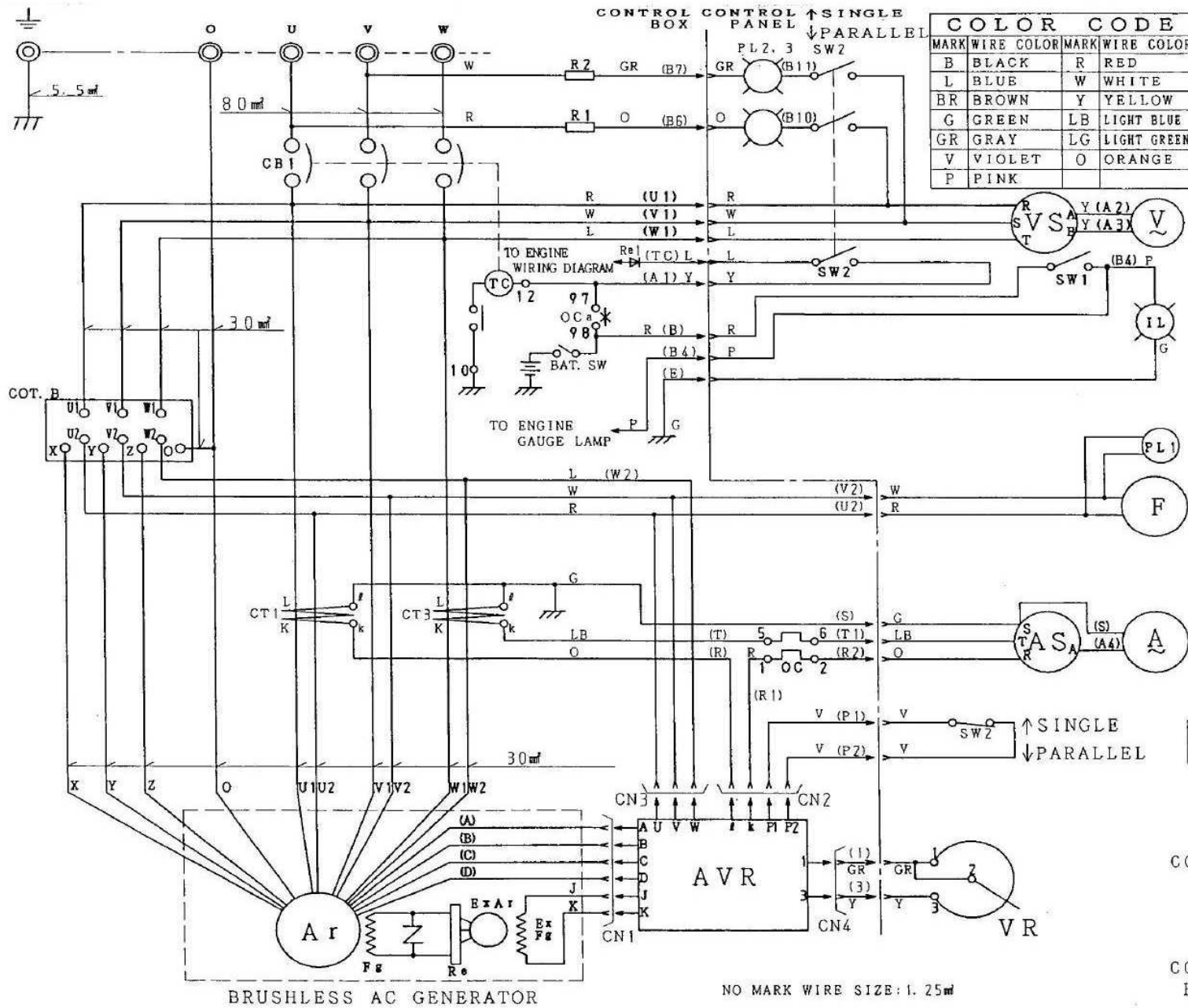


Схема генератора "DENYO" DCA-125 SP



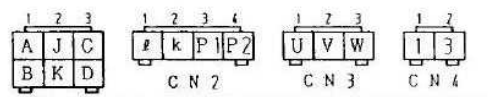
COLOR CODE			
MARK	WIRE COLOR	MARK	WIRE COLOR
B	BLACK	R	RED
L	BLUE	W	WHITE
BR	BROWN	Y	YELLOW
G	GREEN	LB	LIGHT BLUE
GR	GRAY	LG	LIGHT GREEN
V	VIOLET	O	ORANGE
P	PINK		

MARK	N A M E
Ar	MAIN GENERATOR ARMATURE WINDING
Fg	MAIN GENERATOR FIELD WINDING
Ex. Ar	EXCITER ARMATURE WINDING
Ex. Fg	EXCITER FIELD WINDING
Re	RECTIFIER
CB1	CIRCUIT BREAKER (3-PHASE) 350A
PL2,3	SYNCHRONIZING LAMP
SW2	SINGLE-PAR. CHANGE-OVER SWITCH
R1,2	RESISTOR
CT1,3	CURRENT TRANSFORMER 500/5A
OC	OVER CURRENT RELAY
V	AC. VOLTMETER 0 ~ 600V
VS	VOLTMETER CHANGE-OVER SWITCH
A	AC. AMMETER 0 ~ 250, 500A
AS	AMMETER CHANGE-OVER SWITCH
F	FREQUENCY METER 45 ~ 65Hz
PL1	PILOT LAMP
AVR	AUTOMATIC VOLTAGE REGULATOR
VR	VOLTAGE REGULATOR
IL	PANEL LIGHT
COT. B	VOLTAGE CHANGE BOARD
Re1	RECTIFIER
SW1	PANEL LIGHT SWITCH

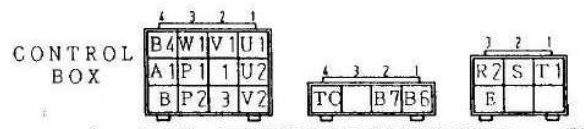
400 / 440 V set 200 / 220 V set



VOLTAGE CHANGE BOARD



CN1 AVR CONNECTOR ARRANGEMENT (WIRING VIEW)



CONTROL BOX CONTROL PANEL

CONNECTOR ARRANGEMENT (WIRING VIEW)

NO MARK WIRE SIZE: 1.25mm

DCA-125SP