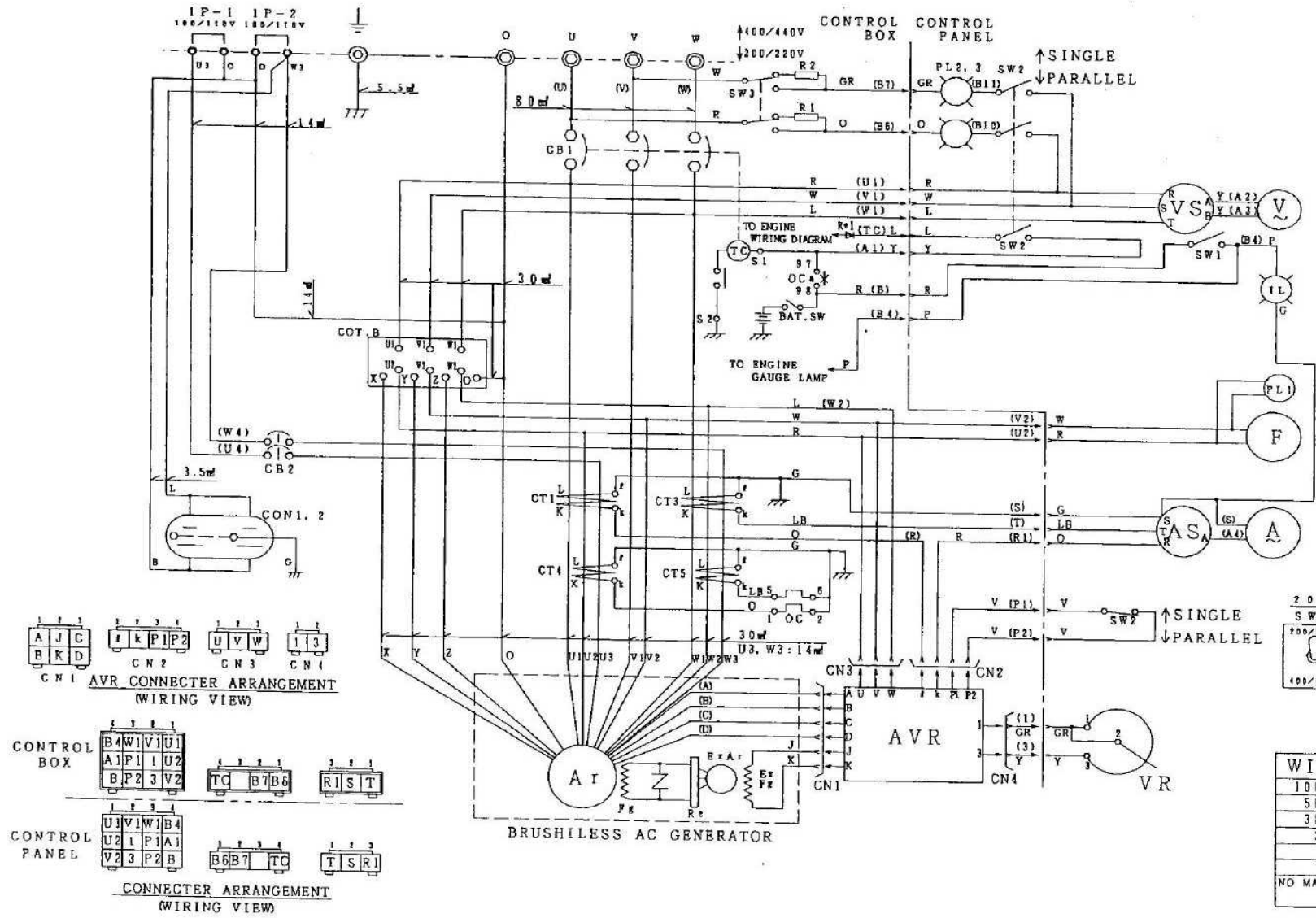


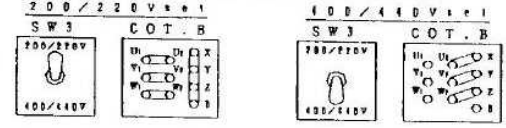
Схема генератора "DENYO" DCA-115 SP

DCA-115SP



MARK	N A M E
A1	MAIN GENERATOR ARMATURE WINDING
Ff	MAIN GENERATOR FIELD WINDING
ExA1	EXCITER ARMATURE WINDING
ExP1	EXCITER FIELD WINDING
R1	RECTIFIER
CB1	CIRCUIT BREAKER (3-PHASE) 350A
PL2, 3	SYNCHRONIZING LAMP
SW2	SYNGLB PAR.CHANGE-OVRR SWITCH
R1, 2	RESISTOR
SW3	VOLTAGE CHANGE-OVER SWITCH
CB2	CIRCUIT BREAKER (1-PHASE) 100A
CON1, 2	AUX. POWER RECEPTACLE
CT1, 3	CURRENT TRANSFORMER 400/5A
CT4, 5	CURRENT TRANSFORMER 250/5A
OC	OVER CURRENT RELAY
V	AC.VOLTMETER 0-500V
VS	VOLTMETER CHANGE-OVER SWITCH
A	AC-AMMETER 0-200, 400A
AS	AMMETER CHANGE-OVER SWITCH
F	FREQUENCY METER 45-55Hz
PL1	PILOT LAMP
AVR	AUTOMATIC VOLTAGE REGULATOR
VR	VOLTAGE REGULATING RHROSTAT
IL	PANEL LIGHT
COT.B	VOLTAGE CHANGE-OVER BOARD
R1	RECTIFIER
SW1	PANEL LIGHT SWITCH

VOLTAGE CHANGE OVER BOARD



NO MARK WIRE SIZE: 1.25mm

WIRE SIZE	COLOR CODE
100: 100mm	MARK WIRE COLOR MARK WIRE COLOR
50: 50mm	B BLACK R RED
38: 38mm	L BLUE W WHITE
2: 2mm	BR BROWN Y YELLOW
	G GREEN LB LIGHT BLUE
	GR GRAY LG LIGHT GREEN
NO MARK WIRE SIZE	V VIOLET O ORANGE
1.25mm	P PINK

