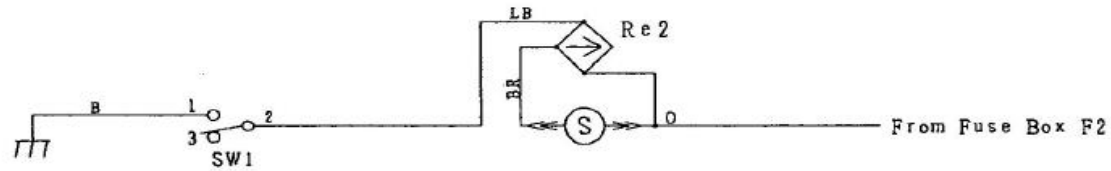
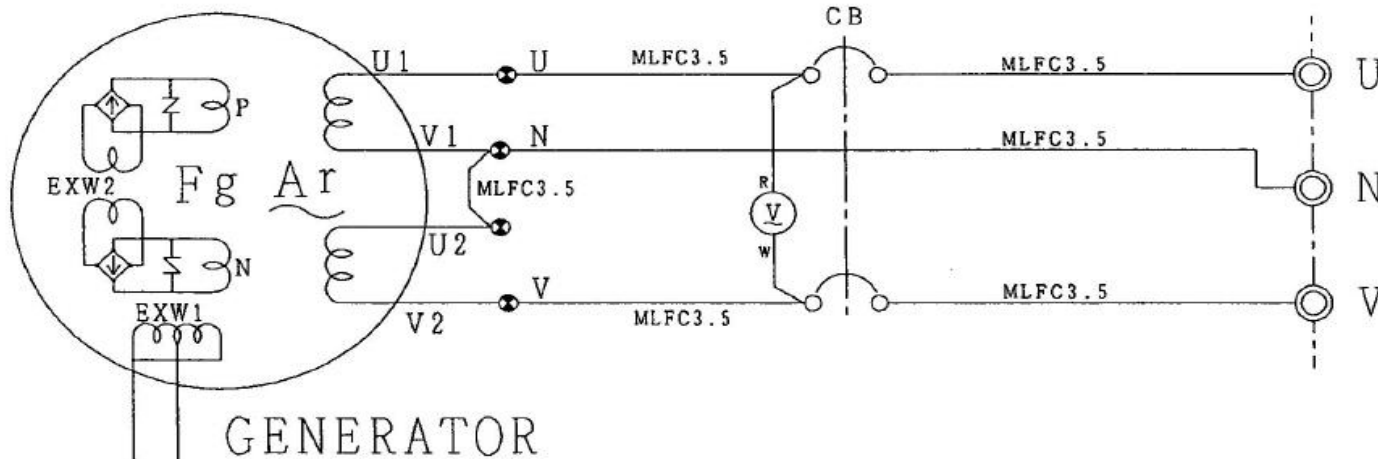


Принципиальная схема генератора
"DENYO" модель DA - 6000 SS



SYMBOL	PARTS NAME
Ar	Armature Winding
Fg	Field Winding
EXW1~2	Excitation Winding
V	AC Voltmeter
Re 1~2	Rectifier
CB	Circuit Breaker
SW1	Operation Switch
S	Solenoid
R	Resistor

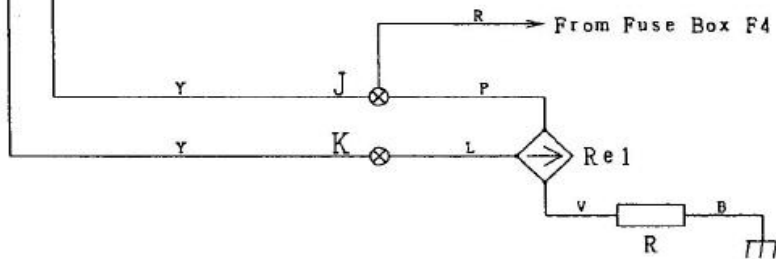


Combination terminal

TB1 ⊙ U | N | N | V

TB2 ⊗ J | K | AC50 | 1930

GENERATOR



WIRING COLOR CODE			
SYMBOL	COLOR	SYMBOL	COLOR
B	BLACK	R	RED
L	BLUE	W	WHITE
BR	BROWN	Y	YELLOW
G	GREEN	LB	LIGHT BLUE
GR	GRAY	LG	LIGHT GREEN
V	VIOLET	O	ORANGE
P	PINK		