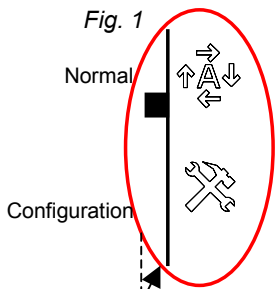


## 704 INSTALLATION INSTRUCTIONS

Configuration Mode is selected by operation of a small switch on the rear, left-hand edge of the PCB. This is partially hidden to prevent accidental operation. See *figs 1 and 2*



Once Configuration Mode is selected, the 'Auto' LED will commence rapid flashing. When in Configuration Mode all normal operation is suspended.

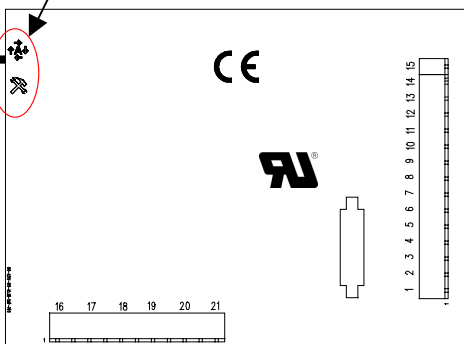
The 'Stop' pushbutton can be used to select the LED 'code' that corresponds to the required function. The 5 left hand LED's will form the code.

The 'Manual' pushbutton will allow the user to change the function parameters. The 3 right-hand LED's inform the user of the current setting for the chosen function.

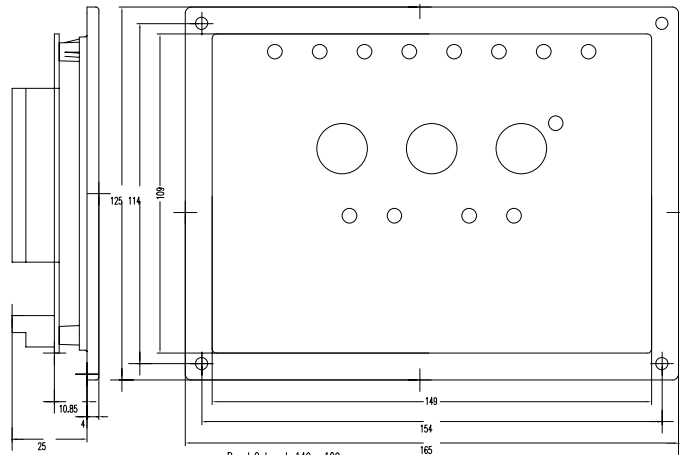
When the required parameters are displayed, pressing the 'Auto' button will save the new setting. The process is repeated for each function change.

When configuration is complete, the Configuration Mode Selector Switch should be returned to the 'Normal' position.

A key to all configuration options is provided overleaf on the Functions and Parameters table.

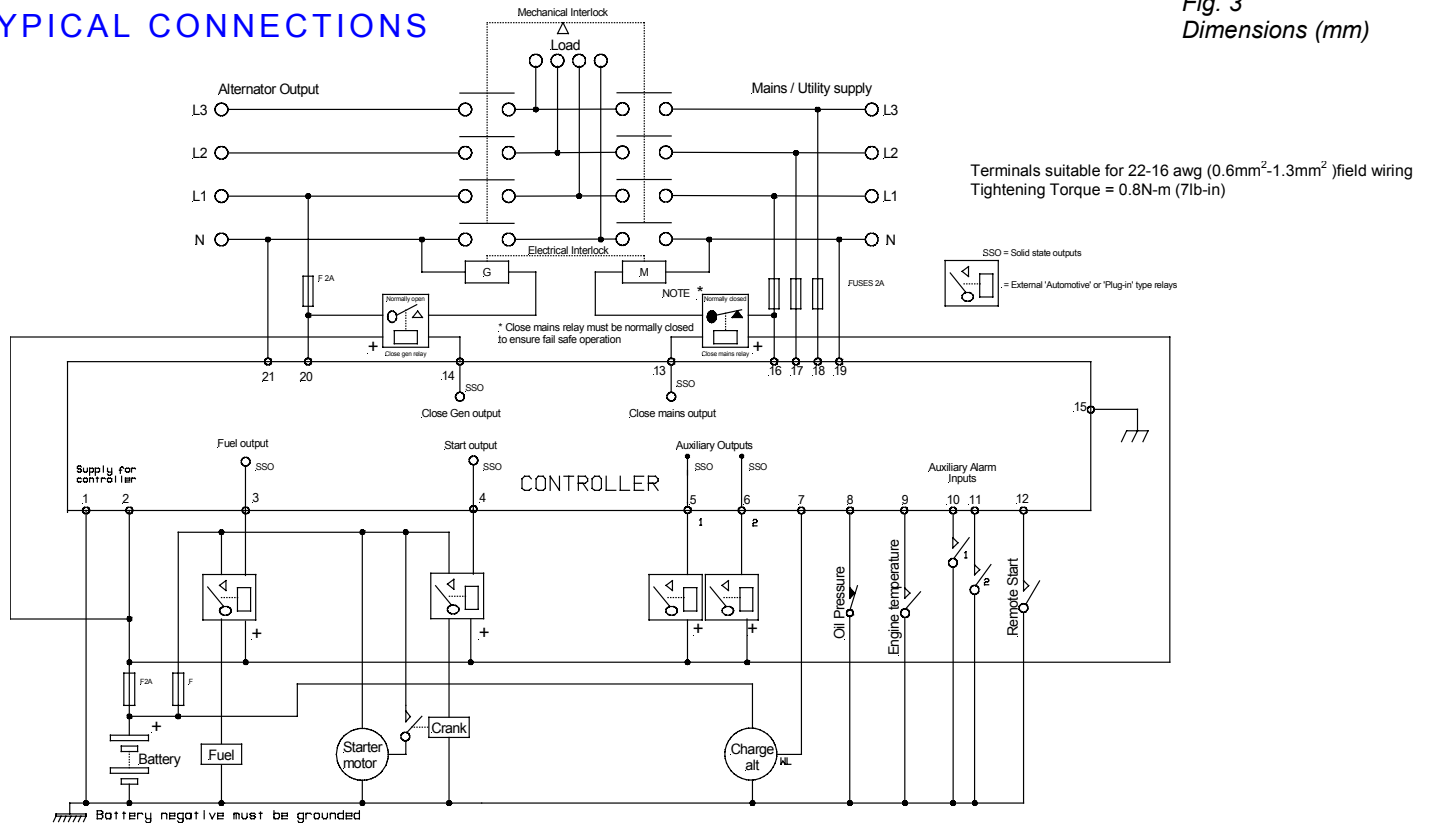


**Fig. 2**  
Reverse of 704



**Fig. 3**  
Dimensions (mm)

## TYPICAL CONNECTIONS



Deep Sea Electronics plc

Highfield House, Hunmanby Industrial Estate, North Yorkshire, YO14 0PH, England  
Tel: +44 (0) 1723 890099 Fax: +44 (0) 1723 893303 E-mail sales@deepseapl.com

FUNCTIONS AND CONFIGURATION TABLE										
Function							!	I 1	I 2	Value (Default in <i>Italics</i> )
Pre-heat Timer	○	○	○	○	○	●	○	○	○	<i>0 Seconds</i>
							○	○	●	5 Seconds
							○	●	○	10 Seconds
							○	●	●	15 Seconds
							●	○	○	20 Seconds
							●	○	●	30 Seconds
							●	●	○	60 Seconds
							●	●	●	180 Seconds
Start Delay	○	○	○	○	●	○	○	○	○	<i>0 Seconds</i>
							○	○	●	5 Seconds
							○	●	○	10 Seconds
							○	●	●	15 Seconds
							●	○	○	20 Seconds
							●	○	●	30 Seconds
							●	●	○	60 Seconds
							●	●	●	180 Seconds
Stop Delay	○	○	○	○	●	●	○	○	○	<i>0 Seconds</i>
							○	○	●	5 Seconds
							○	●	○	10 Seconds
							○	●	●	15 Seconds
							●	○	○	20 Seconds
							●	○	●	30 Seconds
							●	●	○	60 Seconds
							●	●	●	180 Seconds
Energise to Stop Timer	○	○	●	○	○	○	○	○	○	<i>0 Seconds</i>
							○	○	●	5 Seconds
							○	●	○	10 Seconds
							○	●	●	15 Seconds
							●	○	○	20 Seconds
							●	○	●	30 Seconds
							●	●	○	60 Seconds
							●	●	●	180 Seconds
Warm-up Timer	○	○	●	○	○	●	○	○	○	<i>0 Seconds</i>
							○	○	●	5 Seconds
							○	●	○	10 Seconds
							○	●	●	15 Seconds
							●	○	○	20 Seconds
							●	○	●	30 Seconds
							●	●	○	60 Seconds
							●	●	●	180 Seconds
Cooling Timer	○	○	●	●	○	○	○	○	○	<i>0 Seconds</i>
							○	○	●	5 Seconds
							○	●	○	10 Seconds
							○	●	●	15 Seconds
							●	○	○	20 Seconds
							●	○	●	30 Seconds
							●	●	○	60 Seconds
							●	●	●	180 Seconds
Nominal Frequency	○	●	○	○	○	○	○	○	○	<i>50 Hz (O/S +14% / Overshoot +24%)</i>
							○	○	●	60 Hz (O/S +14% / Overshoot +24%)
Nominal DC Voltage	○	●	○	○	○	●	○	○	○	<i>12V DC (CF 8V)</i>
							○	○	●	24V DC (CF 16V)
LOP Switch Contact	○	●	○	●	○	○	○	○	○	<i>Close on Fault</i>
							○	○	●	Open on Fault
HET Switch Contact	○	●	○	●	○	●	○	○	○	<i>Close on Fault</i>
							○	○	●	Open on Fault
Crank disconnect on Oil Pressure	○	●	●	○	○	○	○	○	○	<i>Disabled</i>
							○	○	●	Enabled (2 Second Delay)
Underspeed detection	○	●	●	○	○	●	○	○	○	<i>Disabled</i>
							○	○	●	Enabled (U/S -20%)
Remote start function	○	●	●	●	○	○	○	○	○	<i>Remote start</i>
							○	○	●	Simulated mains
Remote start on load (ignore if simulated mains)	○	●	●	●	○	○	○	○	○	<i>Remote start is off load</i>
							○	○	●	Remote start is on load
Auxiliary Input 1 Function	●	○	○	○	○	○	○	○	○	<i>Immediate Warning Close on Fault</i>
							○	○	●	Immediate Warning Open on Fault
							○	○	○	Immediate Shutdown Close on Fault
							○	○	●	Immediate Shutdown Open on Fault
							●	○	○	Delayed Warning Close on Fault
							●	○	●	Delayed Warning Open on Fault
							●	○	○	Delayed Shutdown Close on Fault
							●	○	●	Delayed Shutdown Open on Fault
Auxiliary Input 2 Function	●	○	○	○	○	●	○	○	○	<i>Immediate Warning Close on Fault</i>
							○	○	●	Immediate Warning Open on Fault
							○	○	○	Immediate Shutdown Close on Fault
							○	○	●	Immediate Shutdown Open on Fault
							●	○	○	Delayed Warning Close on Fault
							●	○	●	Delayed Warning Open on Fault
							●	○	○	Delayed Shutdown Close on Fault
							●	○	●	Delayed Shutdown Open on Fault
Auxiliary Output 1 Function	●	○	○	●	○	○	○	○	○	<i>Not used</i>
							○	○	●	Pre-heat
							○	○	○	Engine Running
							○	○	●	Common Warning
							○	○	○	Common Shutdown
							○	○	●	System in Auto
							○	○	○	Common Alarm
							○	○	●	Energise to Stop
Auxiliary Output 2 Function	●	○	○	●	○	○	○	○	○	<i>Not used</i>
							○	○	●	Pre-heat
							○	○	○	Engine Running
							○	○	●	Common Warning
							○	○	○	Common Shutdown
							○	○	●	System in Auto
							○	○	○	Common Alarm
							○	○	●	Energise to Stop
Mains Under Voltage	●	○	●	○	○	○	○	○	○	<i>60V / 70V</i>
							○	○	●	70V / 80V
							○	○	○	80V / 90V
							○	○	●	90V / 100V
							○	○	○	120V / 140V
							○	○	●	140V / 160V
							○	○	○	160V / 180V
							○	○	●	180V / 200V