



DEEP SEA ELECTRONICS

Model 5220 Installation and Configuration Instructions

Accessing the front panel config' editor

Press the configure/log and Stop/Reset buttons simultaneously.

The LCD configure indicator will flash to indicate that the module is in 'configuration mode'. Release the

Stop/Reset button and the configure/log button.

If a PIN number has been set, press + / - to set the first digit, then press to adjust the next digit.

Repeat this until all four digits have been entered.

The first configurable parameter is now displayed. Pressing the + or - buttons will cycle through the parameters.



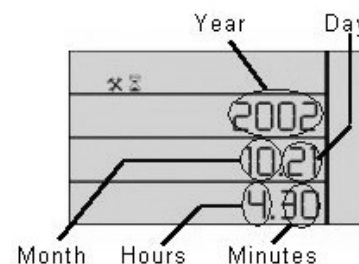
NOTE:- To exit the front panel configuration editor at any time, press the Stop/Reset button. Ensure you have saved any changes you have made by pressing the button first.

Editing an analogue value

Access the front panel config editor as detailed above. Press the +/- buttons to view the parameter you wish to change (see parameter table overleaf). Press the button to enter adjust mode. The value to be adjusted will flash. Press the +/- buttons to adjust the parameter to the desired value. Press the button to 'save' the value. The value will stop flashing to confirm that it has been saved. To select another value to edit, press the + button. Continuing to press the +/- buttons will cycle through the available parameters.

Editing the time

The date/time should initially be set using the 5200 series configuration software. However there may be certain circumstances where a minor change to the module's time is required. One such instance is correction for daylight saving. Access the front panel config editor as detailed above. Press the + button until the calendar is shown :



To edit the time, press the button. The minutes, '30' in this example, will begin flashing. Press the + or - buttons to adjust the minutes. Press the button to select hours, day, month and year. The selected parameter will flash.

Press the button to save the change. The time stops flashing to confirm that it has been successfully stored.

Example : This display is showing a time of 4:30 on 21st October 2002.

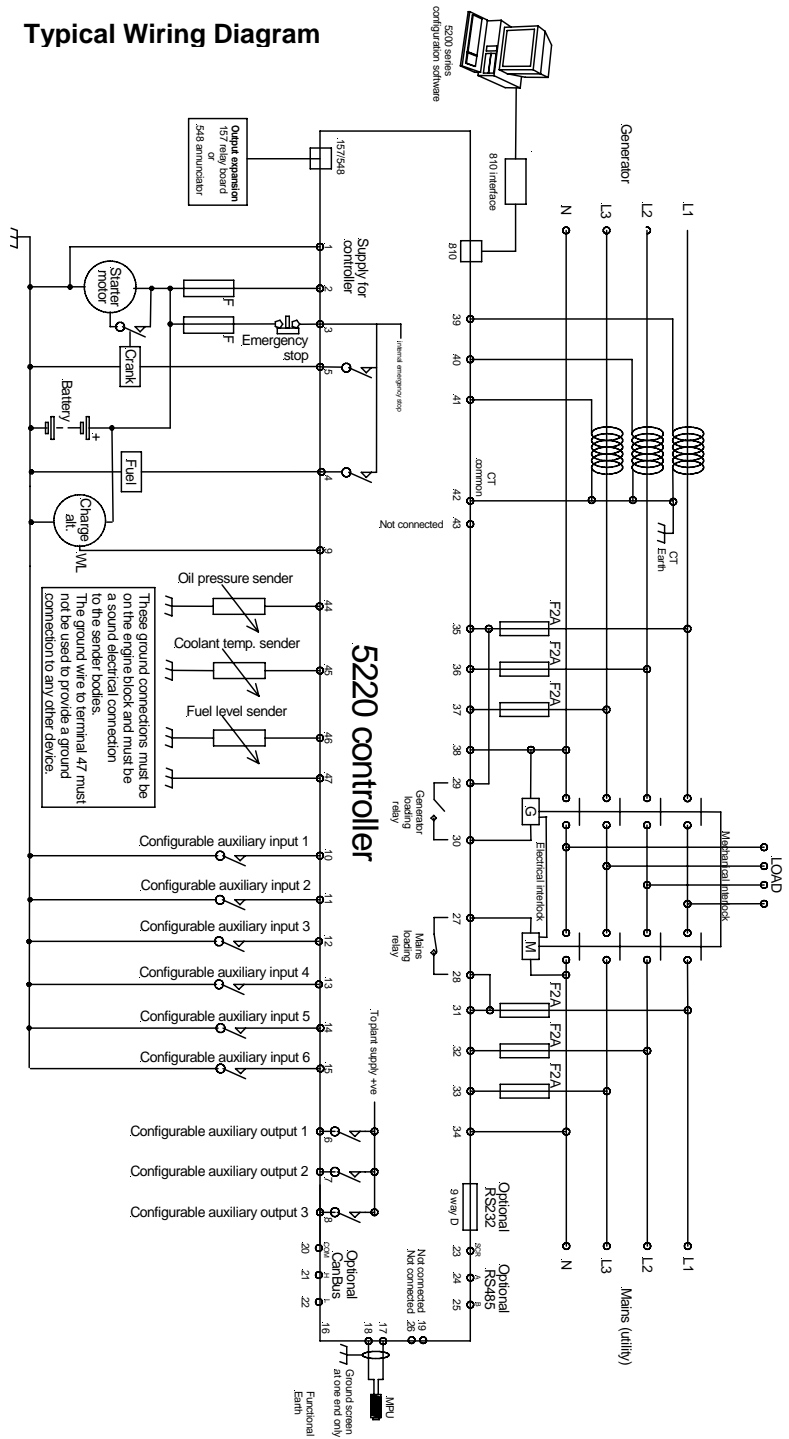
NOTE:- Full configuration of the 5220 module is possible using the 5200 series configuration software for PC in conjunction with the P810 interface.

Config' Section	Parameter	Type	Icons displayed
Analogue senders	Low Pressure	Trip	
	Low Pressure	Pre Alarm	
	High Temperature	Pre Alarm	
	High Temperature	Trip	
	Fuel Level %	Pre Alarm	
Calendar	Date/time	Date/time	
Timers	Mains transient delay	Timer (secs)	1
	Start delay	Timer (secs)	2
	Preheat	Timer (secs)	3
	Crank attempt	Timer (secs)	4
	Crank rest	Timer (secs)	5
	Safety delay	Timer (secs)	6
	Overspeed overshoot	Timer (secs)	7
	Warming up	Timer (secs)	8
	Transfer delay	Timer (secs)	9
	Return delay	Timer (secs)	10
	Cooling run	Timer (secs)	11
	E.T.S.(Energise to stop) solenoid hold	Timer (secs)	12
Mains (utility) supply	Mains Low Voltage	Trip	V ↓
	Mains High Voltage	Trip	V ↑
	Mains Low Frequency	Trip	Hz ↓
	Mains High Frequency	Trip	Hz ↑
Generator output	Generator Under Voltage L1-N	Trip	V ↓
	Generator Under Voltage L1-N	Pre Alarm	V ↓
	Generator Over Voltage	Pre Alarm	V ↑
	Generator Over Voltage	Trip	V ↑
	Generator Under Frequency	Trip	Hz ↓
	Generator Under Frequency	Pre Alarm	Hz ↓
	Generator Over Frequency	Pre Alarm	Hz ↑
	Generator Over Frequency	Trip	Hz ↑
	Delayed Overcurrent %	Trip	A ↑
Engine speed	Under Speed (RPM)	Trip	
	Under Speed (RPM)	Pre Alarm	
	Over Speed (RPM)	Pre Alarm	
	Over Speed (RPM)	Trip	
DC Voltages	Low DC Voltage	Warning	V ↓
	High DC Voltage	Warning	V ↑
	Charge Alternator Failure	Warning	

Deep Sea Electronics Plc.
 Highfield House, Hunmanby Industrial Estate,
 North Yorkshire. YO14 0PH. ENGLAND.
 Tel:+44 (0)1723 890099
 Fax: +44 (0)1723 893303.
 Email: sales@deepseapl.com
 Web: www.deepseapl.com
 LO CALL (from UK BT landlines) : Telephone
 0845 260 8900.

Deep Sea Electronics Inc.
 3230 Williams Avenue, Rockford,
 IL 61101-2668, USA
 Phone: +1 (815) 316-8706
 Fax: +1 (815) 316-8708
 Email: dsesales@deepseausa.com
 Web: www.deepseausa.com
 TOLL FREE (USA only) Tel: 1 866 636 9703

Typical Wiring Diagram

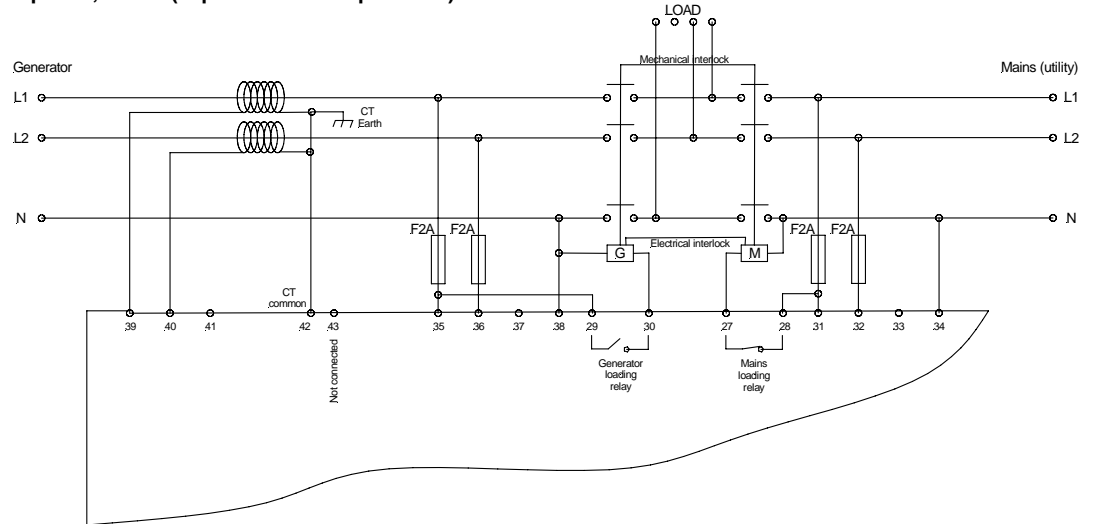


Dimensions

Module Dimensions - 240mm x 172mm x 57mm (9.45" x 6.77" x 2.14")
 Panel cutout - 220mm x 160mm (8.7" x 6.3")

Alternative AC wiring

2 phase, 3 wire (2 phase centre tap neutral)



3 phase, 3 wire

