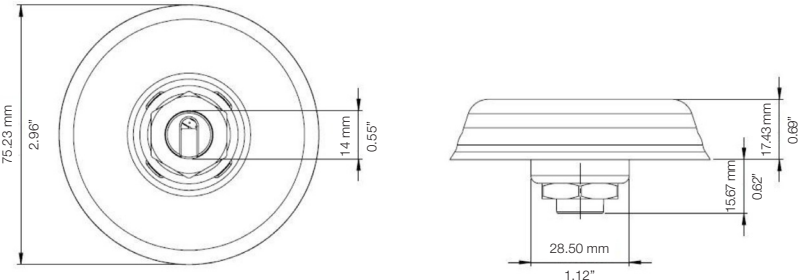


# 020-150

## GSM ANTENNA



<b>TYPE</b>	Cellular/Wi-Fi/Bluetooth Antenna
<b>FREQUENCIES</b>	AMPS (824 MHz - 894 MHz) GSM (900 MHz) DCS (1800 MHz) PCS (1900 MHz) 3G (UMTS 2.1 GHz) Wi-Fi/Bluetooth (2.4 GHz)
<b>MOUNTING</b>	Body mounting, IP67/IP69K/IK09
<b>IMPEDANCE</b>	50 Ω
<b>POLARISATION</b>	Linear
<b>GAIN</b>	2.2 dBi (depending on ground plane size)
<b>VSWR</b>	<2:1
<b>PROTECTION</b>	IP67/IP69K/IK09
<b>OPERATING TEMPERATURE</b>	-40 °C to +85 °C -40 °F to +185 °F
<b>MATERIAL</b>	Housing – ABS Base – Zamak Gasket – TPE
<b>MAXIMUM DIMENSIONS</b>	<p><b>Depth when mounted (excluding bolt)</b> 77.4 mm x 15.9 mm 3.04" x 0.62"</p> 
<b>BOLT</b>	<p><b>Bolt height</b> 16 mm 0.63"</p> <p><b>Bolt Diameter</b> M14 0.56"</p> <p><b>Nut size</b> M14 0.56"</p>
<b>WEIGHT</b> (Based on 2.5 m cable length & FME connector)	150 g 5.29 oz
<b>COLOUR</b>	Black

